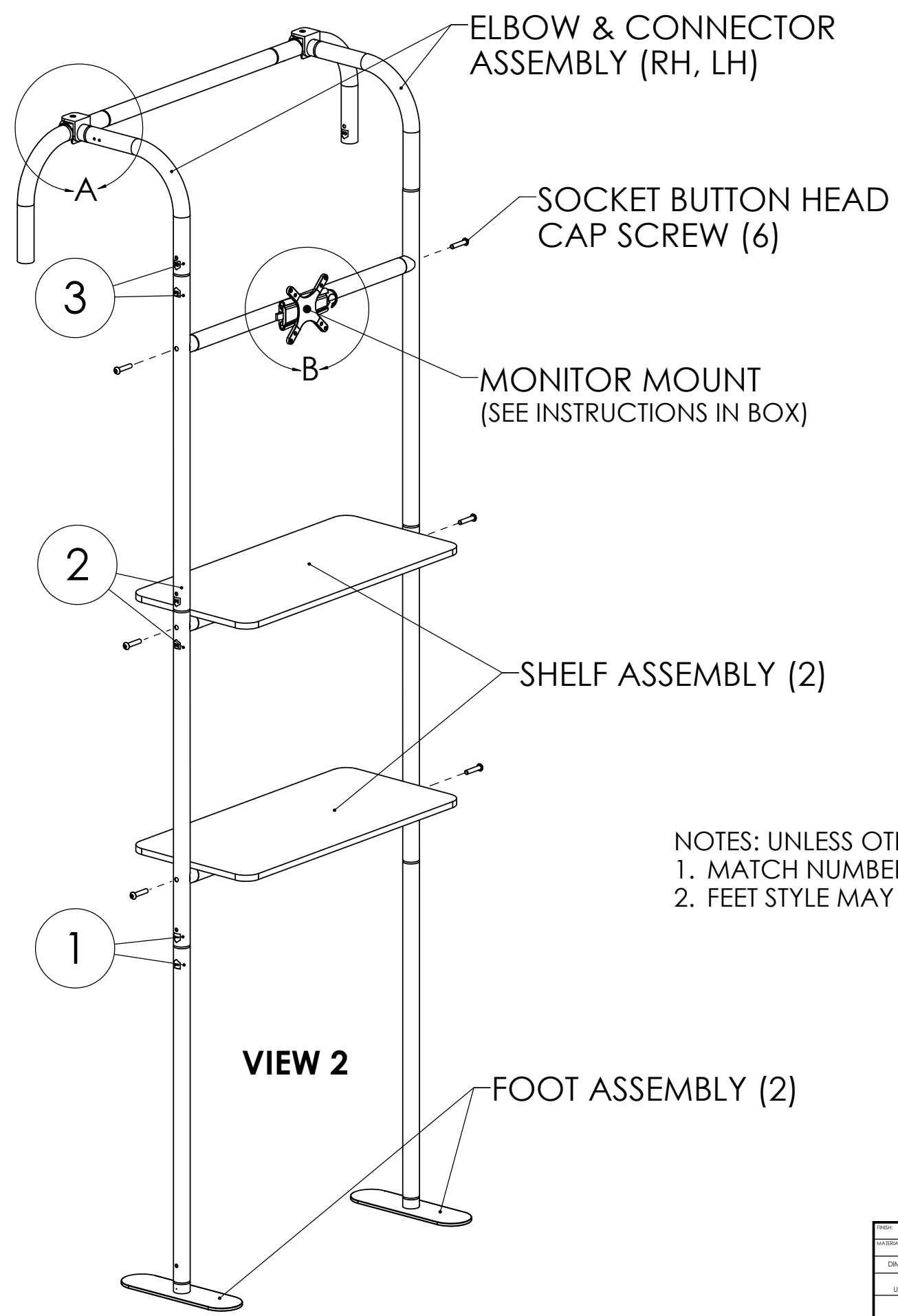


**VIEW 1**



**VIEW 2**

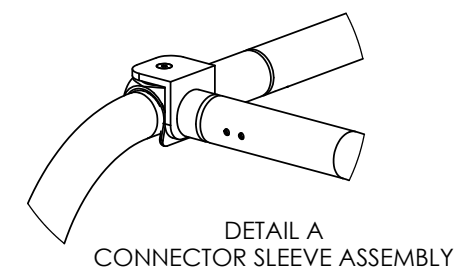
ELBOW & CONNECTOR ASSEMBLY (RH, LH)

SOCKET BUTTON HEAD CAP SCREW (6)

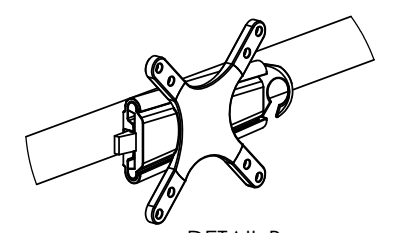
MONITOR MOUNT (SEE INSTRUCTIONS IN BOX)

SHELF ASSEMBLY (2)

FOOT ASSEMBLY (2)



DETAIL A  
CONNECTOR SLEEVE ASSEMBLY



DETAIL B  
MONITOR MOUNTING ASSEMBLY

NOTES: UNLESS OTHERWISE SPECIFIED  
 1. MATCH NUMBERED LABELS AS SHOWN.  
 2. FEET STYLE MAY VARY.

FINISH:	THIRD ANGLE PROJECTION	PROPERTY: THIS DOCUMENT AND DATA DISCLOSED HEREIN OR HEREWITH IS NOT TO BE REPRODUCED, USED, OR DISCLOSED IN WHOLE OR IN PART TO ANYONE WITHOUT PERMISSION OF NIEDO GROUP, INC.
MATERIAL:		
DIMENSIONS ARE IN MILLIMETERS	NIEDO GROUP, INC. 5465 SW WESTERN AVE. BEAVERTON, OR 97005	
TOLERANCES UNLESS OTHERWISE SPECIFIED	<b>WAVE TUBE MODULAR WTM Z04 ASSEMBLY INSTRUCTIONS</b>	
SCALE: 1:12	DO NOT SCALE DRAWING	SHEET 1 OF 1